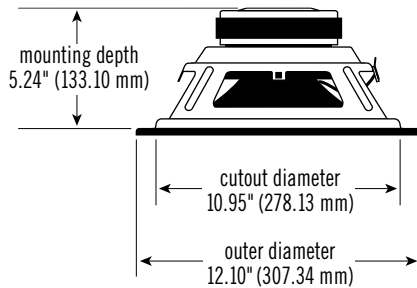


Infinity Reference 1211w 12" Woofer – Technical Data

SPECIFICATIONS

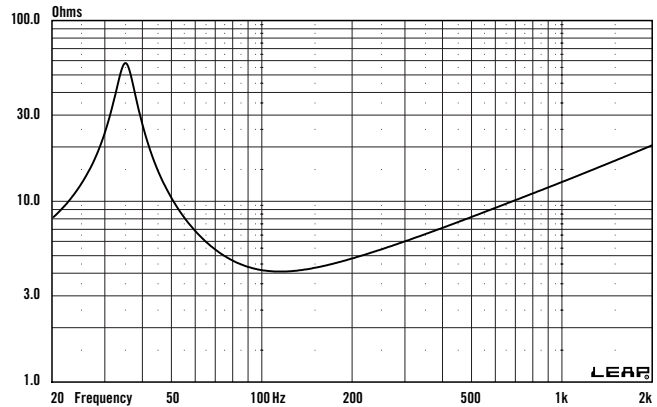
DIAMETER:	12" (304.8 mm)
SENSITIVITY (2.83 V @ 1 m):	93 dB
POWER HANDLING:	250 W _{RMS}
FREQUENCY RESPONSE:	30 ~ 500 Hz
NOMINAL IMPEDANCE:	4 OHMS
VOICE-COIL DIAMETER:	2.0" (50.0 mm)
DIMENSIONS:	



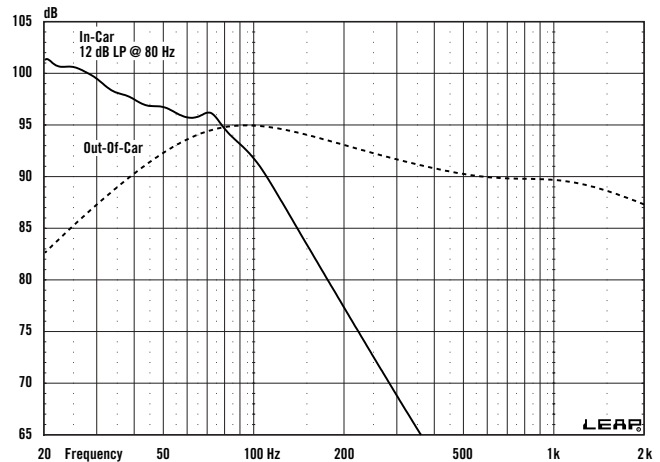
THIELE-SMALL PARAMETERS

VOICE COIL DC RESISTANCE:	R_{EVC} (OHMS)	3.17
VOICE COIL INDUCTANCE @ 1 kHz:	L_{EVC} (MH)	1.68
DRIVER RADIATING AREA:	S_D (IN ²)	78.70
	S_D (CM ²)	510.00
MOTOR FORCE FACTOR:	BL (TM)	10.08
COMPLIANCE VOLUME:	V_{AS} (FT ³)	5.23
	V_{AS} (LITERS)	123.30
SUSPENSION COMPLIANCE:	C_{MS} (μM/N)	333.91
MOVING MASS, AIR LOAD:	M_{MS} (GRAMS)	61.48
MOVING MASS, DIAPHRAGM:	M_{MD} (GRAMS)	54.86
FREE-AIR RESONANCE:	F_S (Hz)	35.13
MECHANICAL Q:	Q_{MS}	7.31
ELECTRICAL Q:	Q_{ES}	0.42
TOTAL Q:	Q_{TS}	0.40
MAGNETIC-GAP HEIGHT:	H_{AG} (IN)	0.31
	H_{AG} (MM)	8.00
VOICE-COIL HEIGHT:	H_{VC} (IN)	0.67
	H_{VC} (MM)	17.00
MAXIMUM EXCURSION:	X_{MAX} (IN)	0.18
	X_{MAX} (MM)	4.50

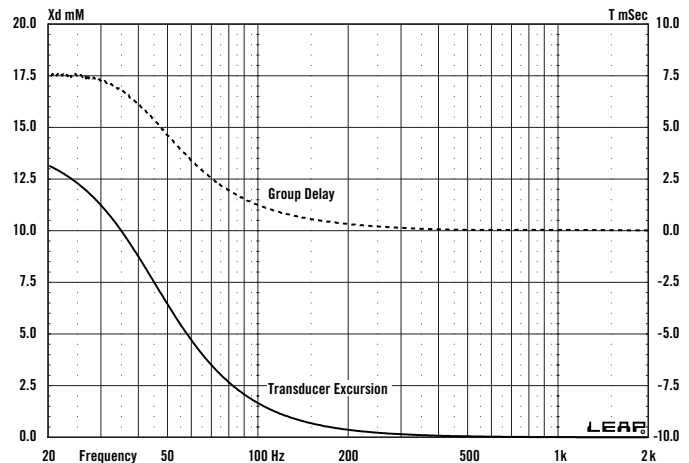
IMPEDANCE CURVE



INFINITE Baffle FREQUENCY RESPONSE @ 2.83 V

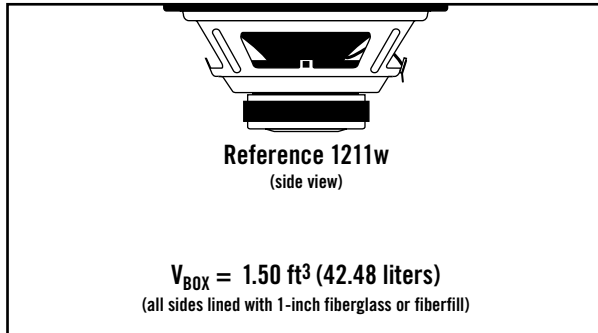


INFINITE Baffle EXCURSION/GROUP DELAY @ 75 W

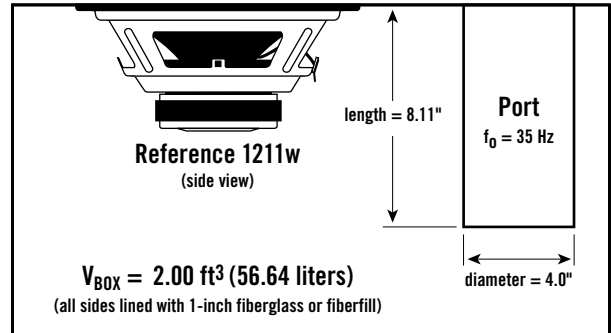


Infinity Reference 1211w 12" Woofer – Technical Data

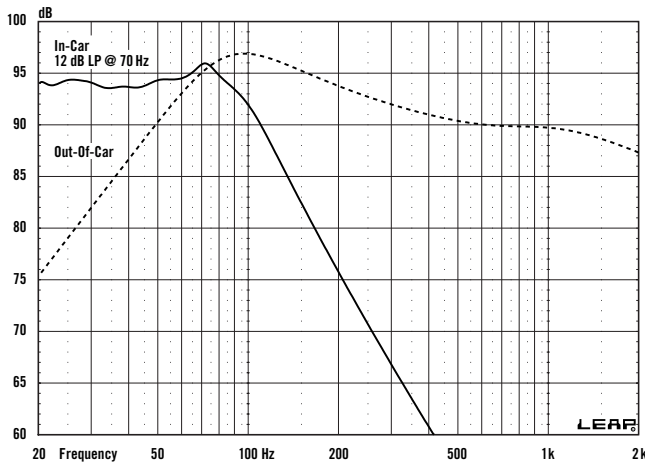
SEALED BOX VOLUME



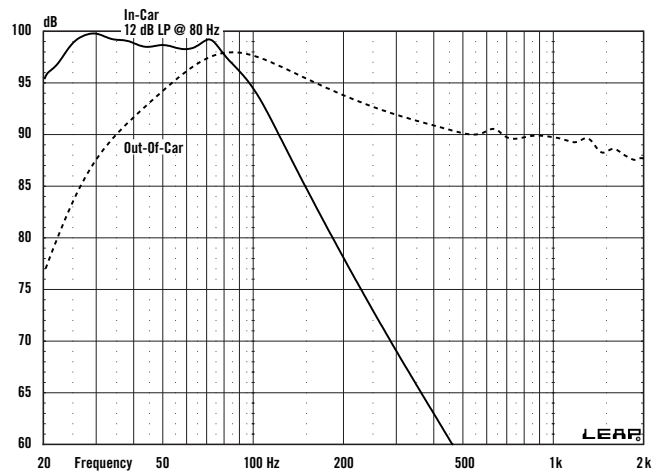
VENTED BOX VOLUME



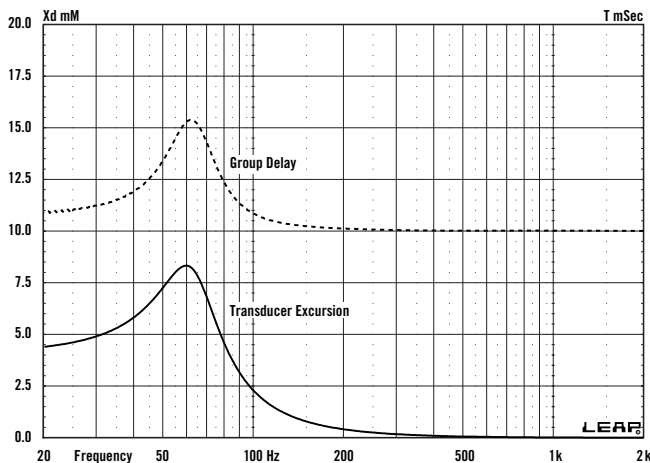
SEALED FREQUENCY RESPONSE @ 2.83 V



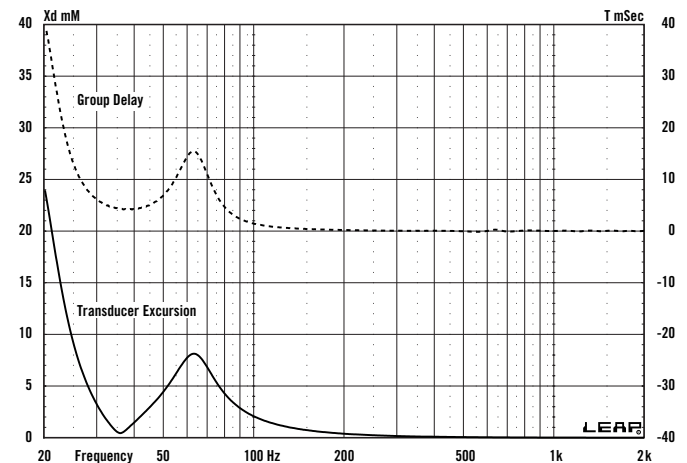
VENTED FREQUENCY RESPONSE @ 2.83 V



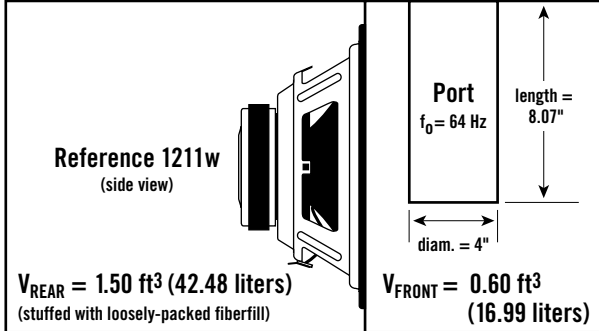
SEALED EXCURSION/GROUP DELAY @ 250 W



VENTED EXCURSION/GROUP DELAY @ 300 W

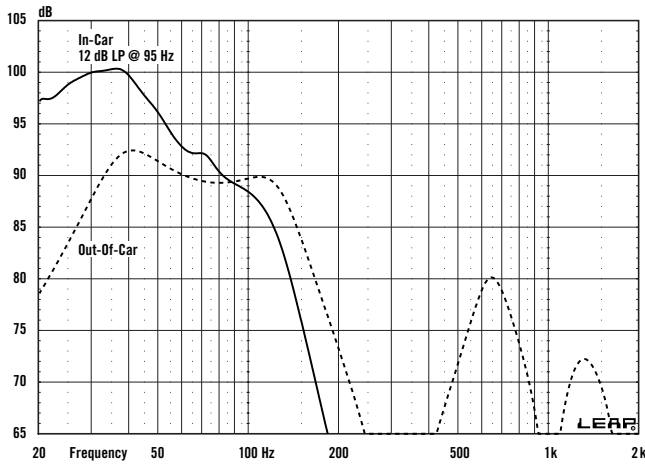


**SEALED BANDPASS
BOX VOLUME**



NOTES

**SEALED BANDPASS
FREQUENCY RESPONSE @ 2.83 V**



**SEALED BANDPASS
EXCURSION/GROUP DELAY @ 225 W**

